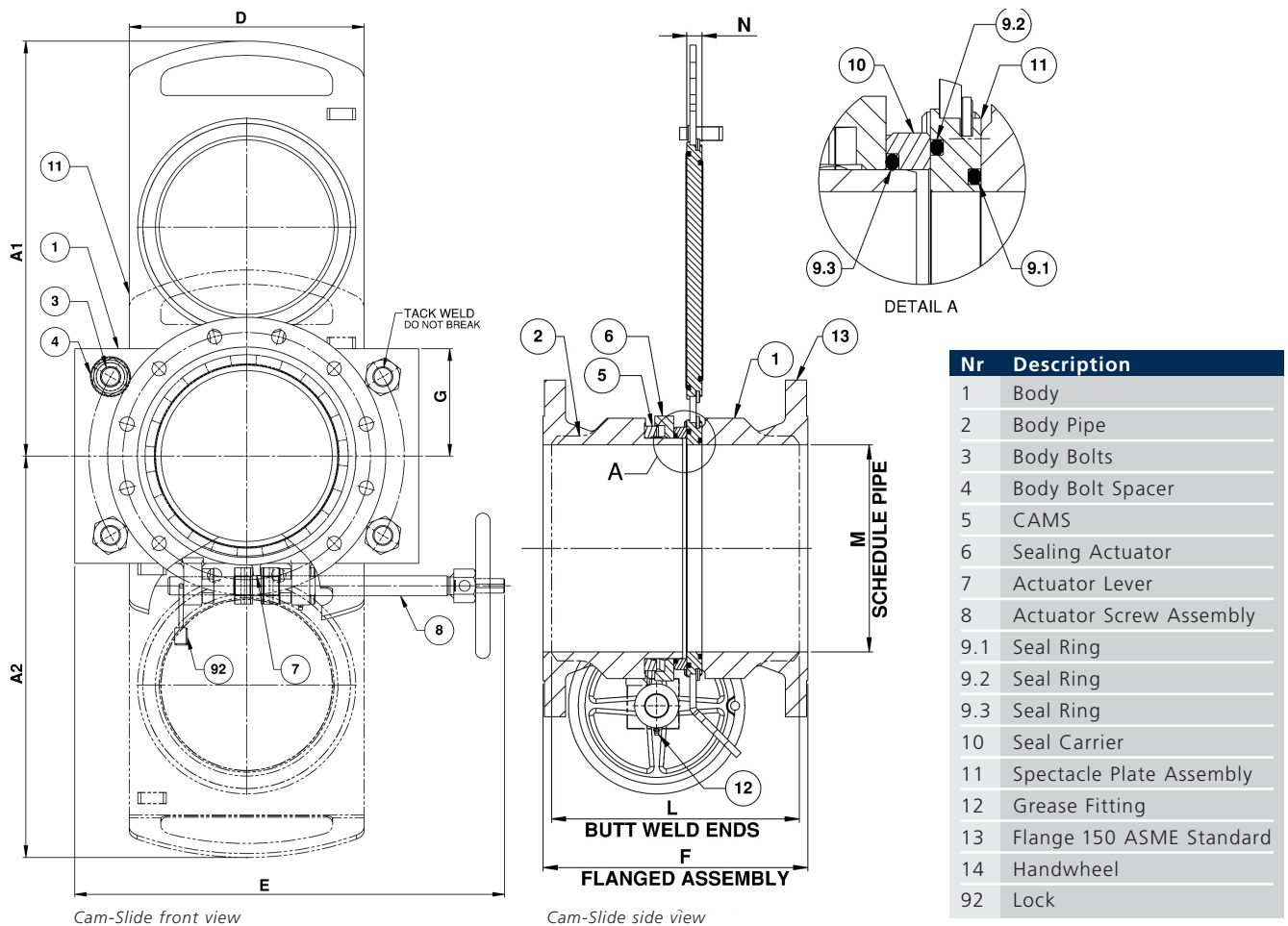


Drawing and Dimension Table for Cam-Slide® (ASME 150#)



Size AME	Size DIN	A1	A2	D	E	F	G	L	M	N	Weight Kg/Lbs
1"	DN 25	134	114	89	279	177,8 [7.00"]	51	166	1" SCH. 80	13	15/33
1 1/2"	DN 40	159	140	102	323	190 [7.50"]	178	178	1 1/2" SCH. 80	13	25/55
2"	DN 50	184	165	115	366	203,2 [8.00"]	77	192	2" SCH. 80	13	29/64
3"	DN 80	263	251	170	268	222,3 [8.75"]	65	203,2	3" SCH. 80	12,7	35/77
4"	DN 100	335	321	200	431	247,7 [9.75"]	90	228,7	4" SCH. 80	12,7	56/123
5"	DN 125	388	371	228	462	292,1 [11.50"]	266,7	266,7	5" SCH. 80	14	75/165
6"	DN 150	440	420	255	493	292.1 [11.50"]	108	266,7	6" SCH. 80	15,9	97/214
8"	DN 200	510	497	300	573	317.5 [12.50"]	128	292,1	8" SCH. 80	15,9	115/254
10"	DN 250	610	590	345	625	355.6 [14.00"]	163	330	10" SCH. 60	15,9	190/419
12"	DN 300	725	702	410	750	381 [15.00"]	188	357	12" SCH. 80S	22	270/595
14"	DN 350	778	761	470	816	406.4 [16.00"]	213	381	14" SCH. 80	22,2	420/926
16"	DN 400	783	761	486	931	432 [17.00"]	251	406	16" SCH. 60	22,4	496/1093
18"	DN 450	881	856	547	1047	686 [27.00"]	282	660	18" SCH. 60	25	568/1230
20"	DN 500	894	894	625	1250	711 [28.00"]	308	686	20" SCH. 60	26	1208/2663
24"	DN 600	1073	1073	750	1500	838.2 [33.00"]	338	813	24" SCH. 60	31,8	1450/3197
28"	DN 700	1252	1252	875	1750	914.4 [36.00"]	394	885	28" SCH. 30	37	1692/3730
30"	DN 750	1341	1341	938	1875	868.8 [34.25"]	423	1016	30" SCH. 20	40	1812/3996

All dimensions above are in mm for ASME class 150# unless otherwise stated. Alternative Cam-Slide models are available on request.